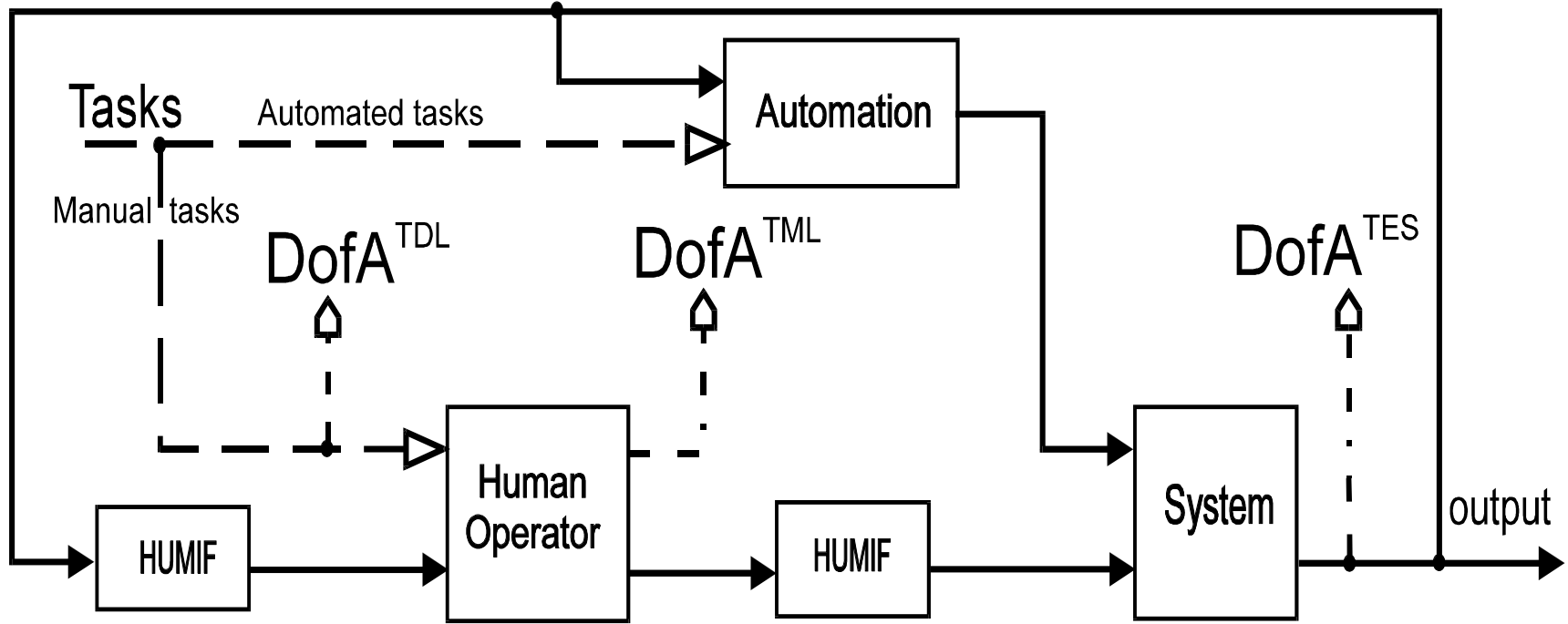
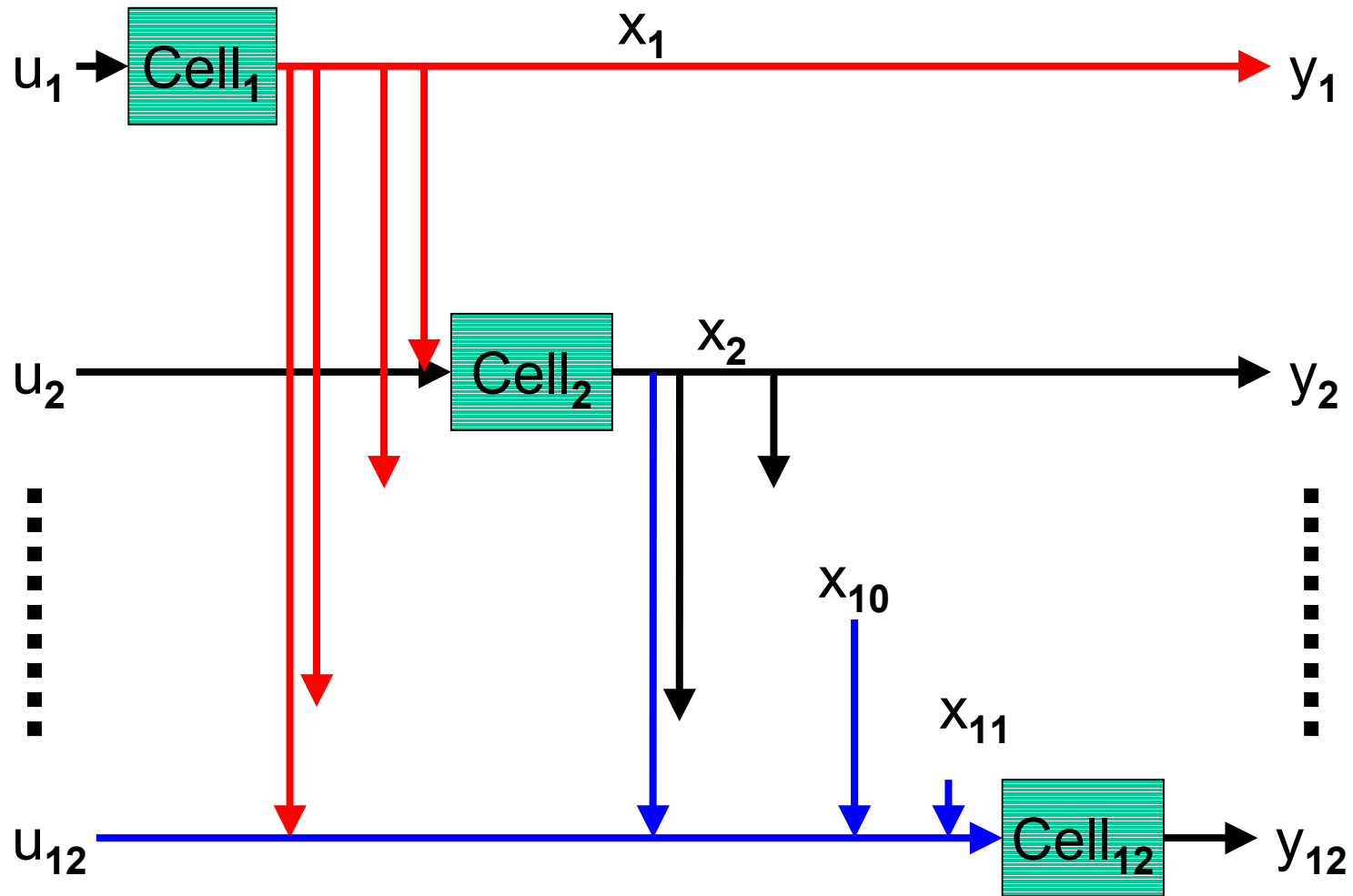


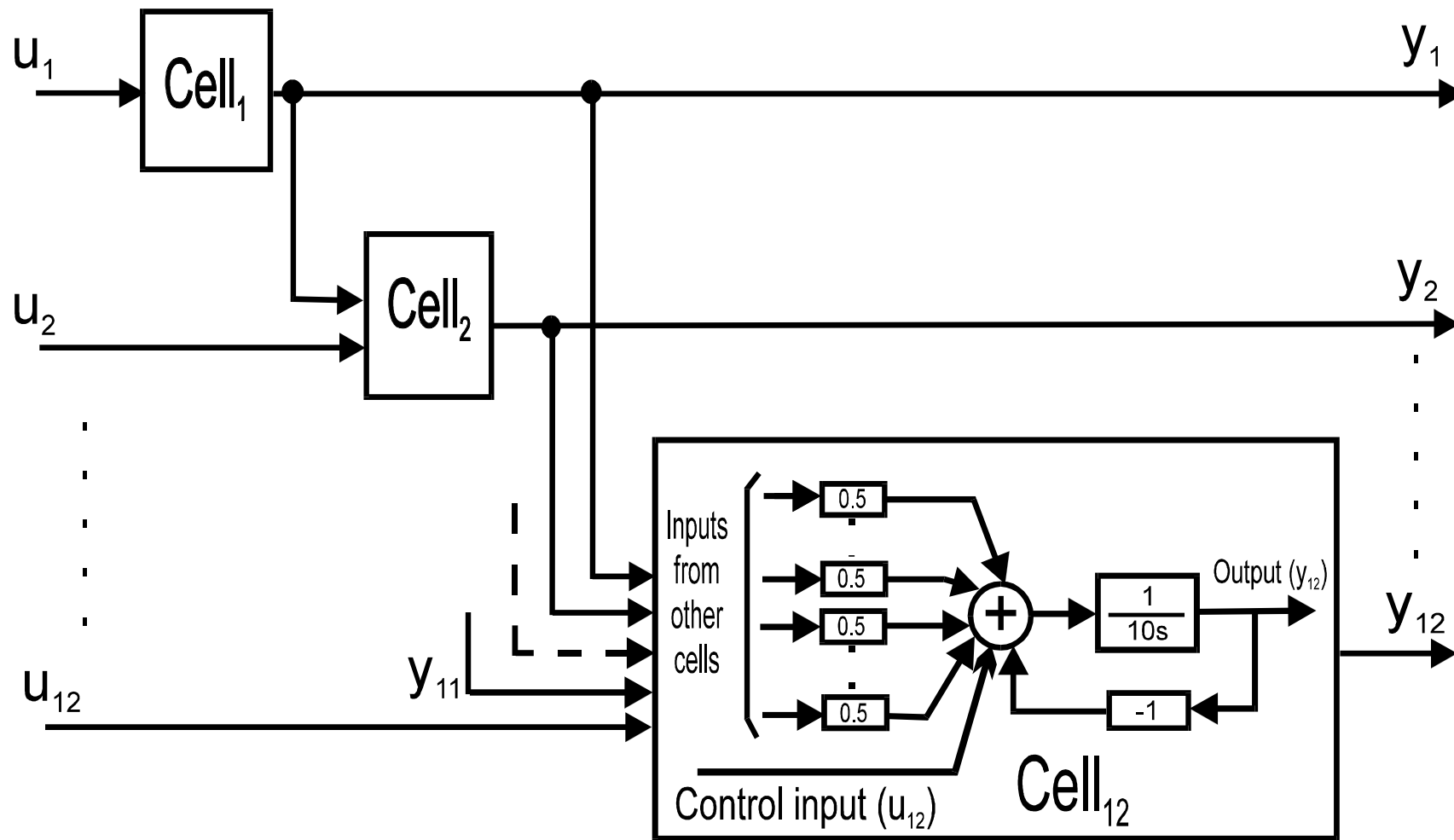
P. Breedveld '94

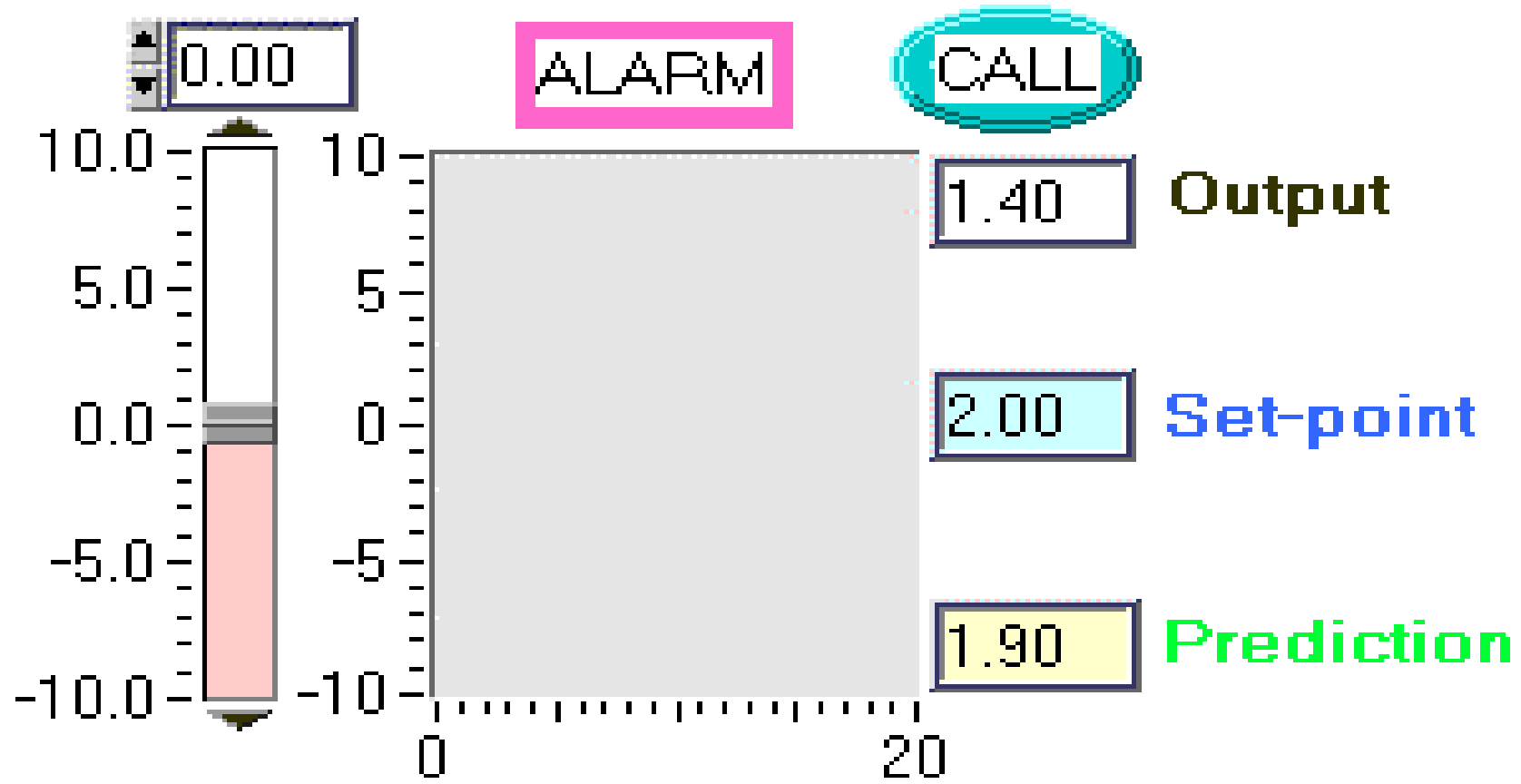


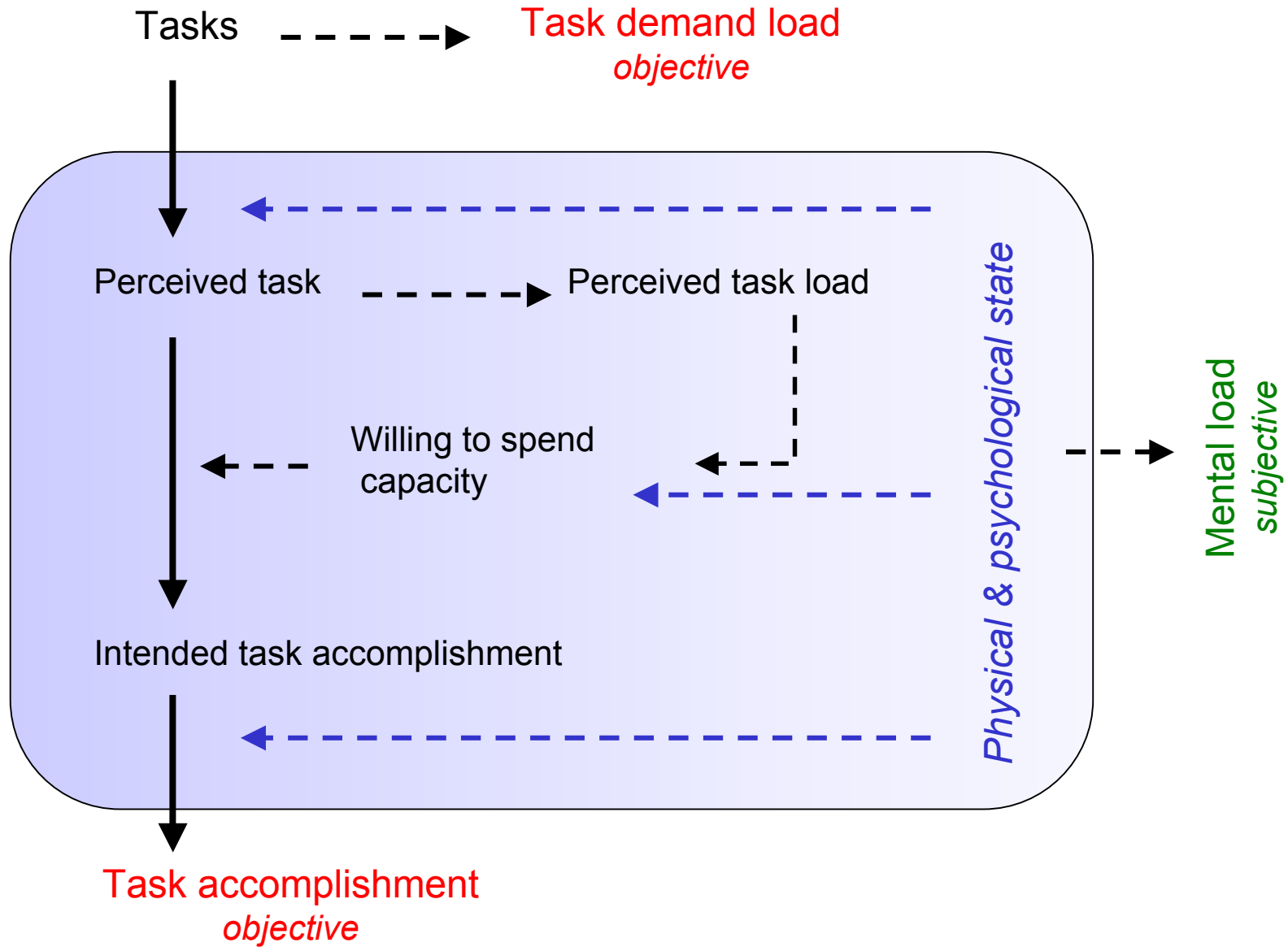


Cascade connection









$$\text{DofA} = \frac{\text{Sum (task-load of automatically controlled tasks)}}{\text{Sum (task-load of each cell)}}$$

$$\underline{\text{DofA}} = \frac{\sum_{i=1}^N \underline{a_i w_i}}{\sum_{i=1}^N \underline{w_i}}$$

$a_i = 0$: *handmatig*

$a_i = 1$: *automatisch*

